

**BUILT
TOUGH**

Phoenix

AUTOMOTIVE

GARAGE EQUIPMENT

NATIONWIDE SALES • SERVICE • INSTALLATION



GORDON
Automotive
SERVICES

NEWRY, CO. DOWN

Phone: 028 3025 2819 | Website: www.gordonautomotive.co.uk.ie

Two-Post Lifts

DELIVERY & INSTALLATION AVAILABLE

PA-6140A Manual Lock Release PA-6140D Electric Lock Release

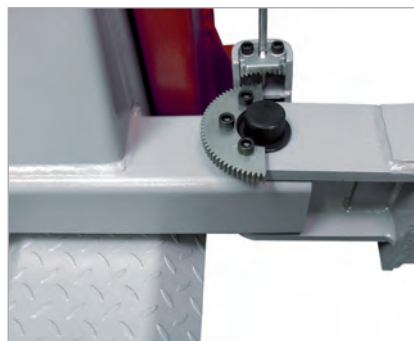
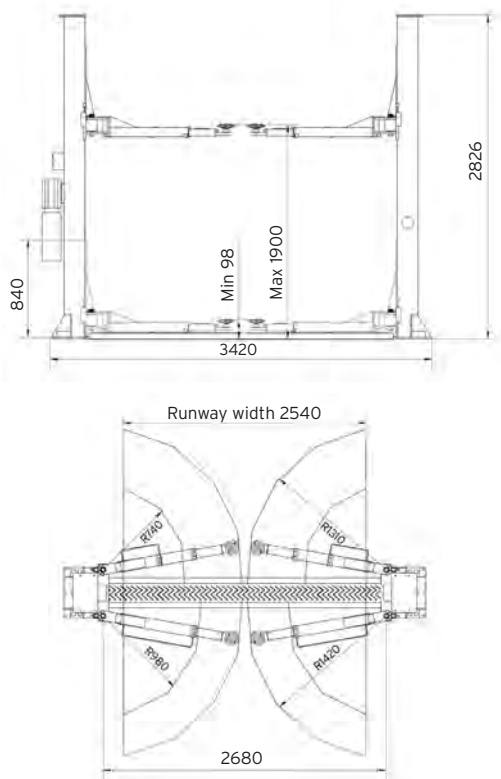
This lift is simple and robust. Uses a twin hydraulic ram design for steady raising and lowering operation. Although 4T capacity you can still lift the smallest cars with this machine.

Features

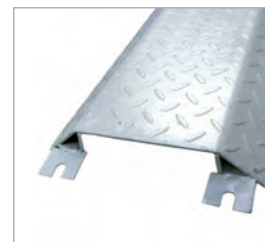
- Lifting capacity 4T
- Lifting height 1900mm
- Minimum height 98mm
- Choice of Automatic lock release or Manual lock release
- Lift pad extensions included (for vans/4x4)
- Single or 3-phase option

4T-4000kg

Dimensions



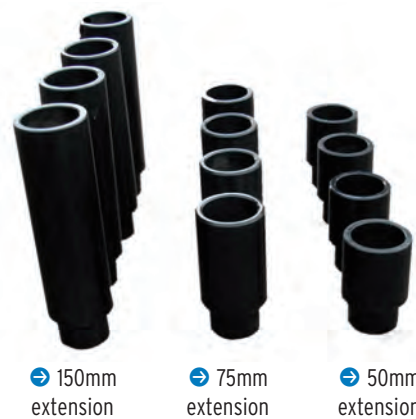
Automatic arm locks



50mm low clearance base plate



Lift pad extensions for vans/4x4 included



Phone: 028 3025 2819

Website: www.gordonautomotive.co.uk



→ Our lifts are fitted with a low voltage control system



PA-6240TH Twin Hydraulic Ram, Clear Floor, 2-Post Lift

This lift is simple and robust. Uses a twin hydraulic ram design for steady raising and lowering operation. Although 4T capacity you can still lift the smallest cars with this machine.

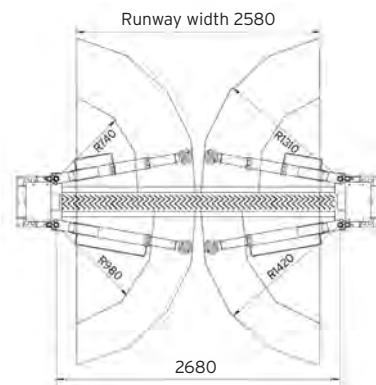
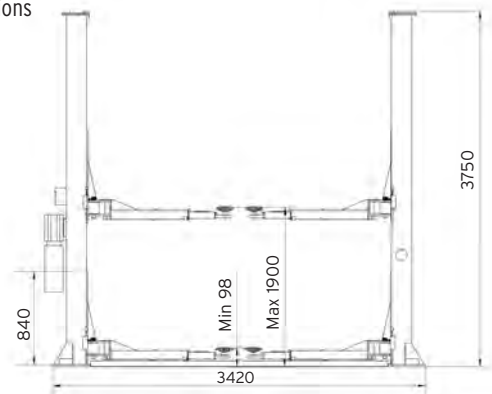
Features

- Lifting capacity 4T
- Lifting height 1900mm
- Minimum height 98mm
- Automatic safety locks in each post
- Safety shut-off bar on the overhead bridge
- Lift pad extensions included (for vans/4x4)
- Single or 3-phase option

4T-4000kg



→ Dimensions



→ Lift pad extensions for vans/4x4 included



→ 150mm extension



→ 75mm extension



→ 50mm extension



ALL EQUIPMENT COMES STANDARD WITH 12 MONTHS WARRANTY

Two-Post Lifts

ALL
EQUIPMENT
CE
CERTIFIED

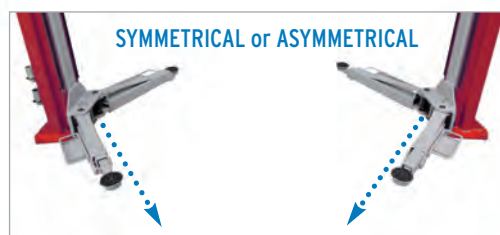
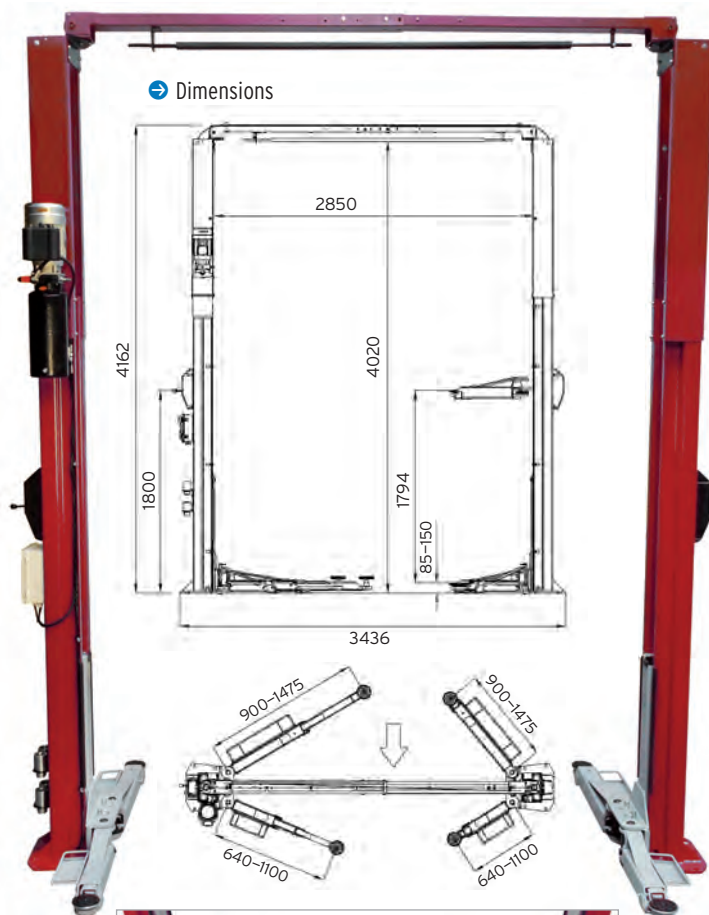
PA-6246/H1 Twin Hydraulic Ram, Clear Floor, 2-Post Lift

This lift uses direct drive hydraulic rams and a single point safety lock release system. This means there are very few moving parts and components. The double "S" bent post structure increases the post strength, making the lift very strong and stable. Although 4T capacity, the smallest and lowest cars can still be lifted using this machine, with the lift pad lowest height at just 85mm.

Features

- Lifting capacity 4T
- Lifting height 1938mm
- Minimum height 85mm
- Single point manual safety locks
- Double screw pad adapters
- Asymmetrical or Symmetrical configuration
- Safety shut-off bar on the overhead bridge
- Lift pad extensions included (for vans/4x4)
- Single phase or 3 phase option

4T-4000kg



Optional in asymmetrical or symmetrical configurations



24V at the buttons

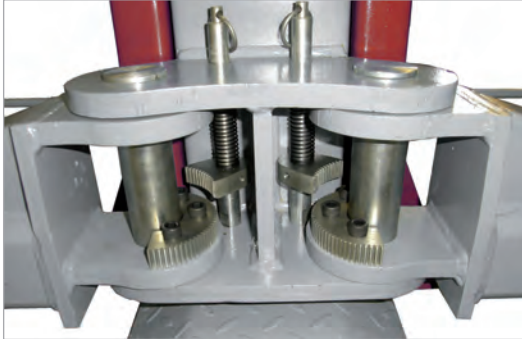


Our automatic arm locks are fully approved, tested and safe. Automatically disengage when the lift is lowered.



Phone: 028 3025 2819

Website: www.gordonautomotive.co.uk



→ C.E. approved locks automatically disengage when lift is lowered

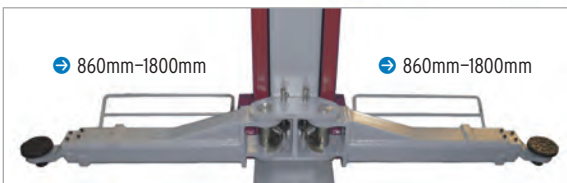


→ Lift pad extensions included



→ 860mm-1800mm

→ 860mm-1800mm



PA-6150D Twin Hydraulic Ram, 2-Post Lift

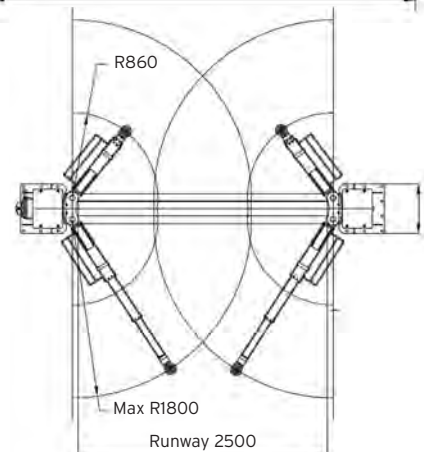
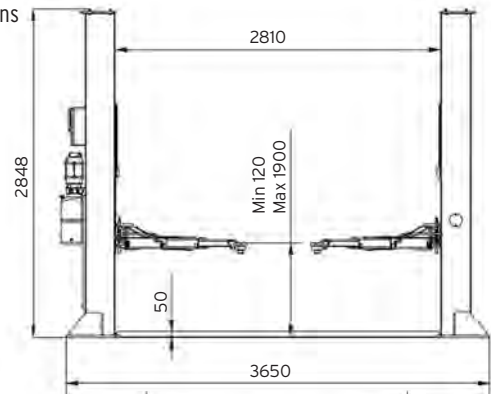
This lift is ideal for lifting large vans and commercial vehicles, with its huge lifting capacity of 5000kg. The design of the arms will also allow the machine to be used on cars.

Features

- Lifting capacity 5T
- Lifting height 1900mm
- Minimum height 120mm
- 3-stage lifting arms
- Automatic safety locks in each post
- Lift pad extensions included
- Single phase

5T-5000kg

→ Dimensions



ALL EQUIPMENT COMES STANDARD WITH 12 MONTHS WARRANTY

Four-Post Lifts

DELIVERY &
INSTALLATION
AVAILABLE

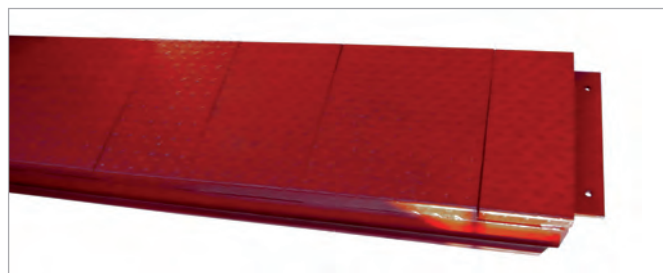
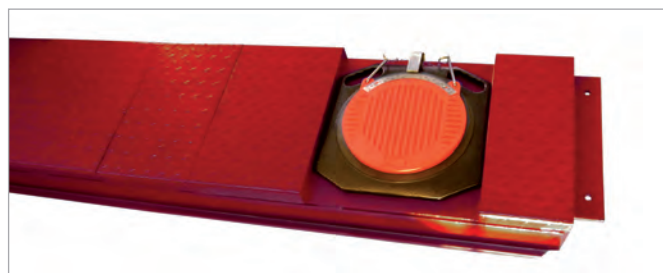
PA-6740 Hydraulic Wheel Alignment, 4-Post Lift

A platform length of 4800mm, 2000Kg jacking beam, rear side-to-side slip plates and front recessed adjustable turn plates. Makes a great valve full wheel alignment lift.

Features

- Lifting capacity 4T
- Lifting height 1850mm
- Platform length 4800mm
- Jacking beam included
- Automatic lock release
- Rear slip plates
- Adjustable front recesses for turn plates
- High quality turn plates included
- High quality ball bearing turn plates included

4T-4000kg



→ Front turnplate recesses can be adjusted to suit different length vehicles. Rear side to side slip plates also fitted as standard.



→ Includes 2.5T jacking beam



→ 180mm



→ 80mm



→ 00mm

→ Jacking beam extensions included



Scissors Lifts



PA-7230A Scissors Lift

This low profile, full rise scissor lift is surface mounted – there is no need for expensive ground works. An ideal unit when space is tight.

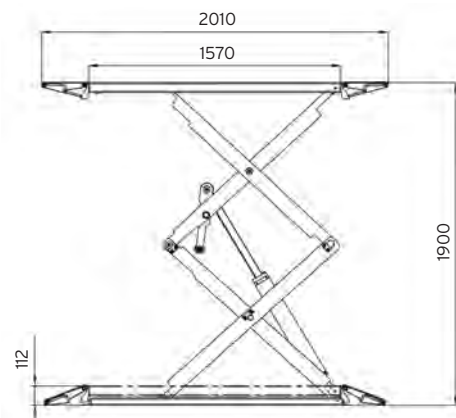
Features

- Lifting capacity 3T
- Lifting height 1900mm
- Minimum height 112mm
- Rubber lift blocks included
- Single or 3-phase option

3T-3000kg



→ Dimensions



→ Machine bolts directly to the floor. No need for expensive groundworks.



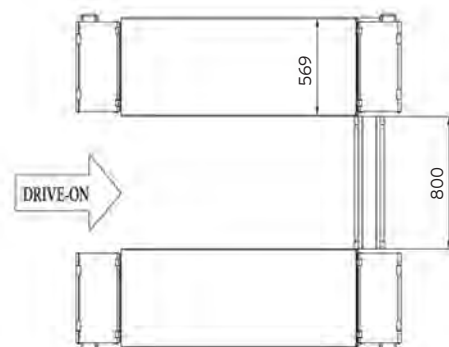
→ Rubber sill mounting blocks included



→ Drive up ramps can be locked in the upright position to extend the platform length.



→ Our lifts are fitted with a low voltage control system.



ALL EQUIPMENT COMES STANDARD WITH 12 MONTHS WARRANTY

Scissors Lifts

ALL
EQUIPMENT
CE
CERTIFIED

PA-7530D Mid-Rise Scissor Lift

This scissor lift is ideal for tyre shops or body shops with the advantage of it being totally mobile.

Features

- Fully mobile
- Lifting capacity 3T
- Extendable platform
- Lifting height 1000mm
- Minimum height 110mm
- Pneumatic safety locks
- Single phase
- No installation required

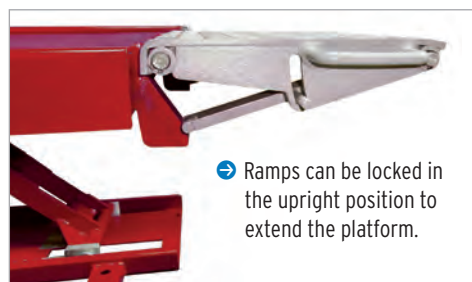
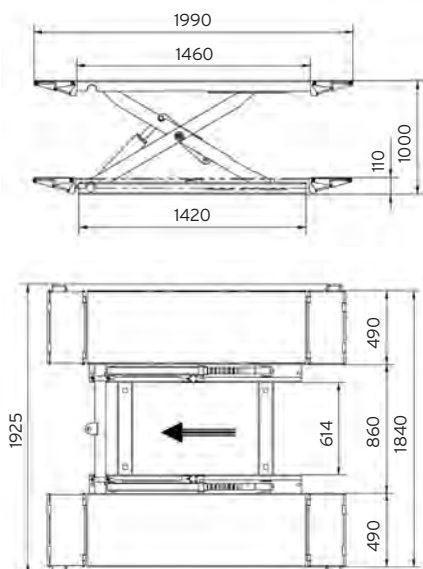
3T-3000kg



MOBILE WHEEL KIT

- Every machine comes with a full mobile kit as standard.

Dimensions



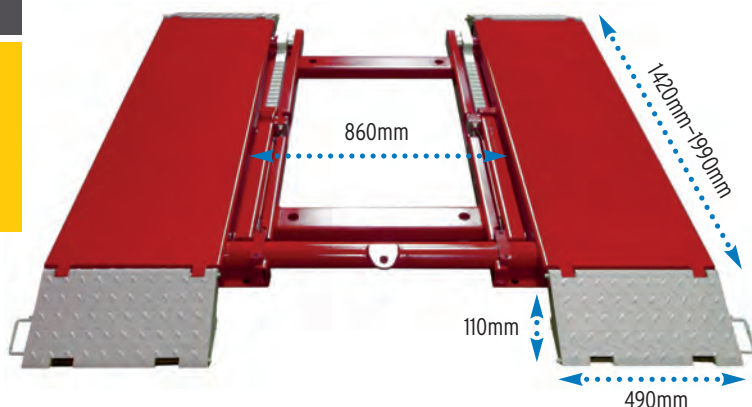
- Ramps can be locked in the upright position to extend the platform.



- Quick release lock.



- Our lifts are fitted with a low voltage control system.

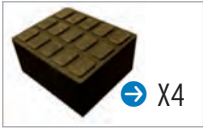


→ X4

- Rubber sill mounting blocks included

Phone: 028 3025 2819

Website: www.gordonautomotive.co.uk



➔ Rubber sill mounting blocks included



➔ Lift platforms can be extended for longer vehicles.



➔ Lift extends to full height with a clear working area between platforms.



➔ Our lifts are fitted with a low voltage control system.

PA-7330 3 Tonne Version PA-7335 3.5 Tonne Version

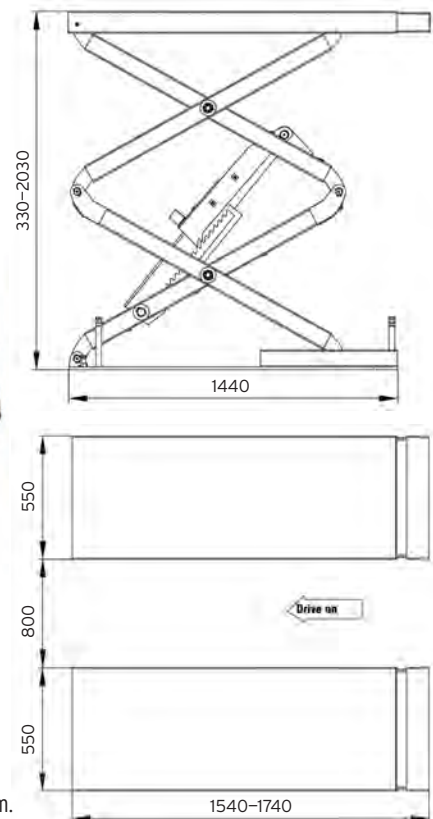
In floor, full rise scissor lift gives a flush floor finish when lowered. This means that the minimum height is 0mm. The installed lift gives a very professional appearance to any workshop.

Features

- Lifting capacity 3T/3.5T
- Lifting height 1700mm/1900mm
- Minimum height 0mm
- Rubber lift blocks included
- Pneumatic safety locks
- Single phase

3T-3000kg

➔ Dimensions



ALL EQUIPMENT COMES STANDARD WITH 12 MONTHS WARRANTY

Tyre Equipment

PA-7260 SEMI AUTOMATIC TYRE CHANGER

This compact machine is simple to use, with a turntable that will clamp up to 20" rims.

Features

- Swing arm/semi automatic style
- 10"-20" rim clamping
- Inflation gauge included
- Tyre lever included
- 240v single phase

10"-20"



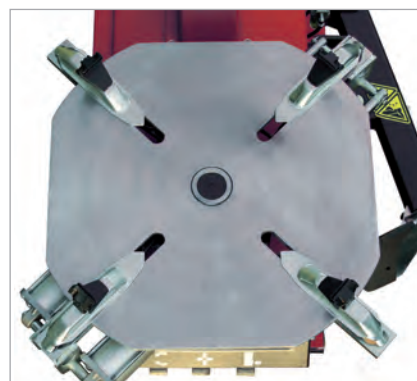
PA-7201 SEMI AUTOMATIC TYRE CHANGER

This semi automatic machine is compact, simple to use and will handle rims up to 24". A great value for money machine.

Features

- Swing arm/semi automatic style
- 10"-24" rim clamping
- Inflation gauge included
- Tyre lever included
- Plastic jaw protectors included
- 240v single phase
- Motorcycle adapters available at a cost of €80

10"-24"



➔ Includes aluminium wheel protection kit/tyre lever and inflation gauge.

Phone: 028 3025 2819

Website: www.gordonautomotive.co.uk



➔ Motorbike adapters



PA-7226IT AUTOMATIC TYRE CHANGER WITH POWER ASSIST ARM

This automatic machine is a tilting back arm design, with a built-in tubeless inflation tank and a powerful pneumatic assist arm. The air operated bead lifting and pressing device makes mounting and demounting easier, especially stiff beaded low profile tyres.

Features

- Fully automatic style
- Air-operated assist arm
- 12"-24" rim clamping
- Built-in inflation gauge included
- Built-in tubeless inflation tank
- Plastic jaw protectors included
- Motorcycle adapters at a cost of €80

12"-24"



➔ Wheel balancer control panel



➔ Centreless wheel adapter



➔ This balancer is very easy to use. It balances wheels in seconds.

PA-7150 MOTORISED WHEEL BALANCER

Features

- 10"-24" rim diameter
- 1.5"-20" rim width
- Auto spin once hood is lowered
- Set of 4 cones included
- Alloy wheel programs
- Calipers, weight pliers included

10"-24"

ALL EQUIPMENT COMES STANDARD WITH 12 MONTHS WARRANTY

Garage Equipment

PA-0303 TRANSMISSION JACK

Features

- Lift capacity 600kg
- Minimum height 1140mm
- Maximum height 1950mm

600kg



PA-1204 HYDRAULIC SPRING COMPRESSOR

Features

- Capacity 1000kg
- Two sets of clamps as standard
- Safety chain

1000kg



PA-0500 ENGINE SUPPORT BEAM

Features

- Lift capacity 500kg
- Minimum height 1800mm
- Two-point holding chains

500kg



- ➔ The engine support beam is an essential tool when removing gear boxes/engine supports etc. It features a fully adjustable width and fully adjustable support bracket and rubber mounted feet.



Phone: 028 3025 2819

Website: www.gordonautomotive.co.uk



PA-2403 FOLDING ENGINE CRANE

Features

- Lift capacity 2T
- Four lift positions – 2000kg, 1500kg, 1000kg and 500kg
- Maximum height to hook 2340mm
- Double speed pump
- Rear handle for movement

2000kg



PA-1684A BEAM SETTER

Features

- Wheel mounted
- 1600mm column for car, truck and bus

Wheel Mounted



PA-1832PDS WASTE OIL DRAINER/EXTRACTOR

Features

- Capacity 76L
- Telescopic drain bowl
- Suction probes for oil extraction
- Pneumatic discharge

76 Litre

ALL EQUIPMENT COMES STANDARD WITH 12 MONTHS WARRANTY

Garage Equipment

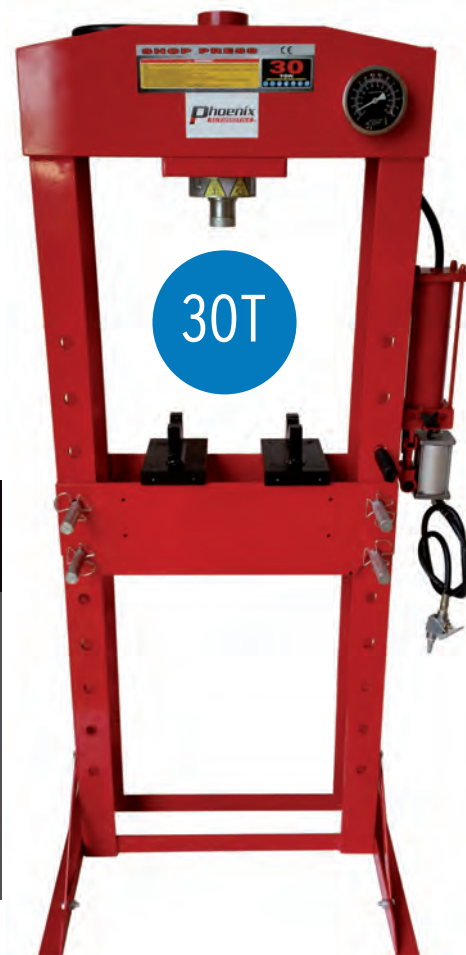


PA-0824 HYDRAULIC PRESS

30T

Features

- Press capacity 30T
- Air or manual operation
- Welded frame
- Movable piston on bearings
- Pressure gauge
- Multi-position bed
- Bed Width 540mm
- Bed depth 165mm



20T

PA-0803 HYDRAULIC PRESS

Features

- Press capacity 20T
- Welded frame
- Movable piston on bearings
- Pressure gauge
- Multi-position bed
- Bed Width 540mm
- Bed depth 112mm

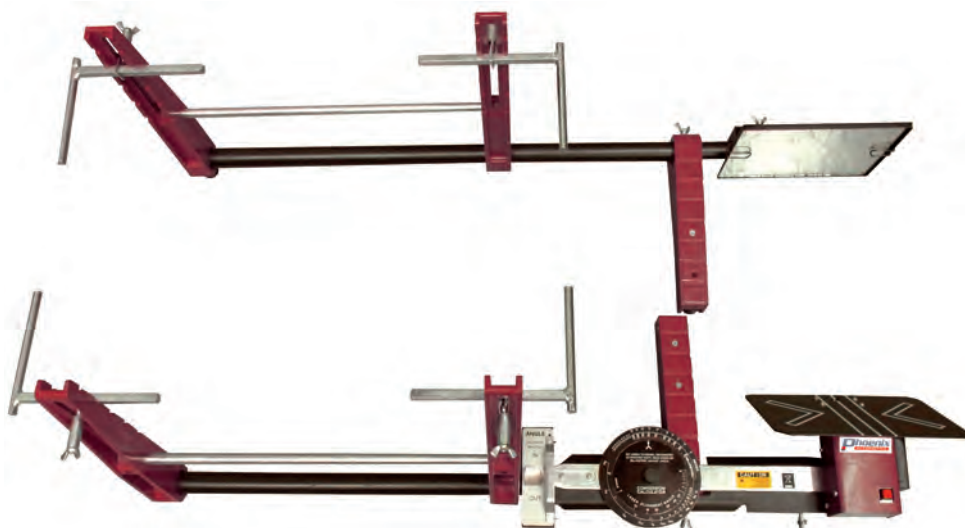
PA-LWA50

LASER WHEEL ALIGNMENT GAUGE

Features

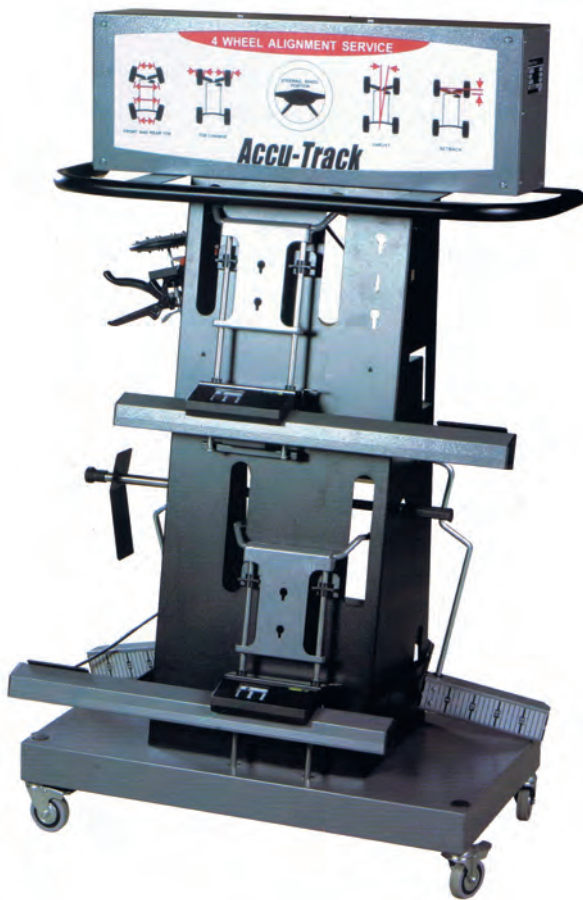
- Rim capacity 8"–24"
- Two wheel aligner
- Precision laser to indicate toe in/toe out
- Can be used on a 4-post lift

8"–24"



Phone: 028 3025 2819

Website: www.gordonautomotive.co.uk



Accutrack 4 Wheel Alignment System

This system is proven in hundreds of tyre shops and garages throughout the UK and Ireland as a highly profitable and technically valuable tool. Individual front and rear toe, rear thrust line, set back and steering wheel position can all be achieved in just a matter of minutes.

Optional Extra

- Camber Caster Gauge
- Wheel alignment stands

12"-23"

- ➔ Available in trolley mounted or wall mounted versions. The design ensures maximum vehicle coverage including rims from 12"-23", and the clever prism design of the lasers minimises costly components within the measurement heads.



- ➔ Galvanised brake plates with stainless steel needle-bearings suitable for up to 5 tonnes axle load.



Arex Digi+ System BRAKE TESTING SYSTEM

Features

- Low energy, runs on 110/220 volt
- Reliable fault diagnosis
- Available in 2 or 4 plate configurations, extendable with slip meter
- Minimal height for driving on

Distributed by your
Phoenix
AUTOMOTIVE
GARAGE EQUIPMENT
DEALER

ALL EQUIPMENT COMES STANDARD WITH 12 MONTHS WARRANTY

Phoenix
AUTOMOTIVE



For further information please contact:



NEWRY, CO. DOWN

Phone: **028 3025 2819** | Mobile: **085 1327 484** | Web: www.gordonautomotive.co.uk